


Neilmax Industries Inc
15/A Progress Street,
Edison, NJ 08820
Tel: 908-756-8800 Fax: 908-756-8855



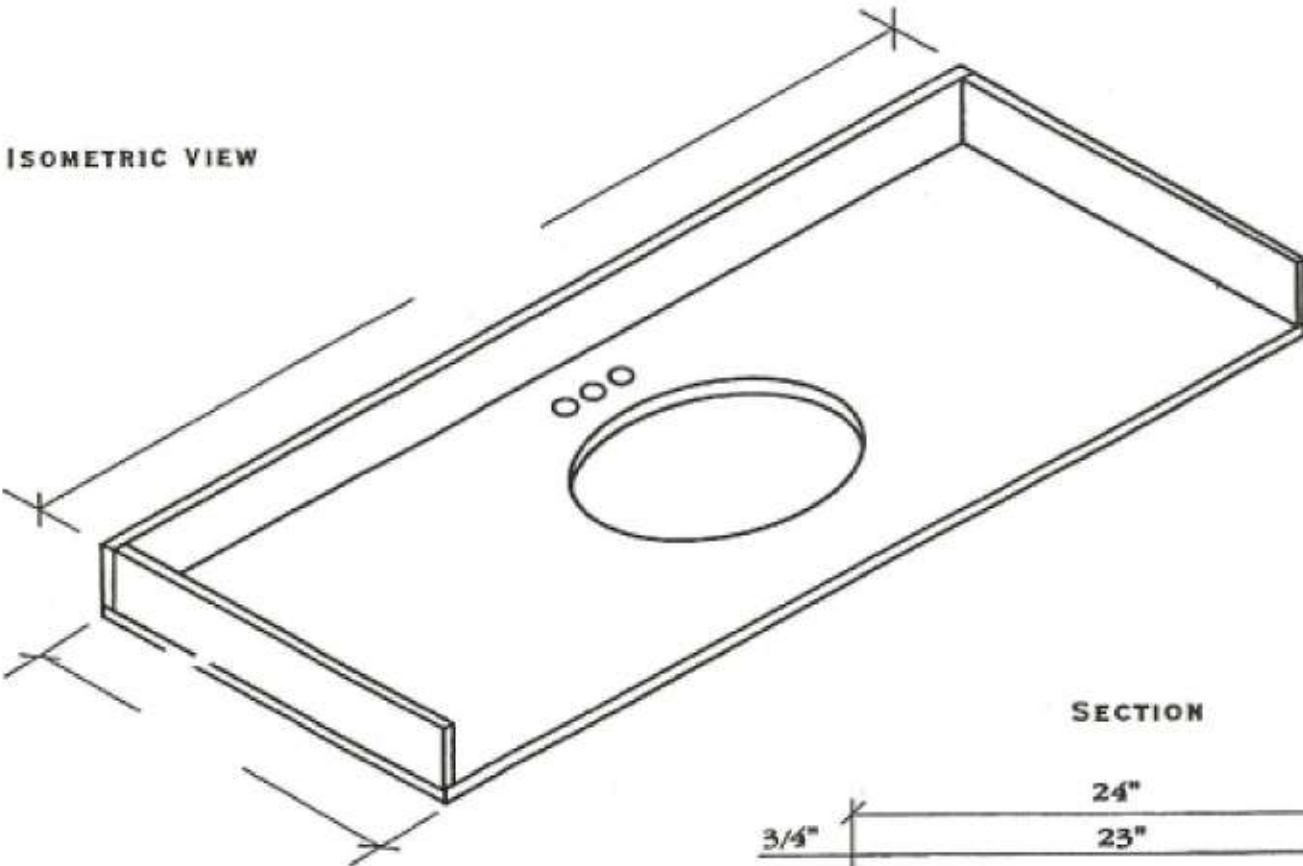
**VANITY TOPS
TUB SURROUNDS
KITCHEN COUNTERS
FLOORING
BUILDING CLADDING
ETC.**



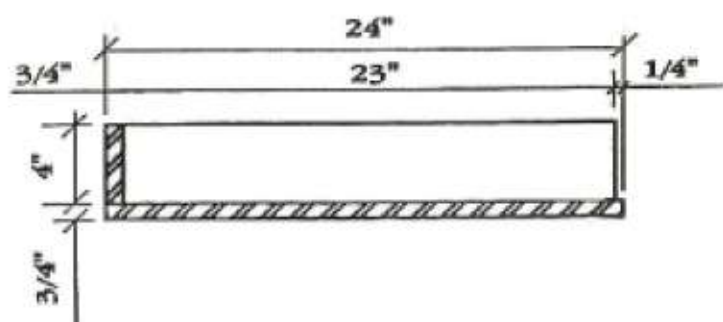
**FAX YOUR PRECIOUS DRAWING FOR
VERY REASONABLE PRICE QUOTATION.**

GRANITE & MARBLE BATHROOM VANITY

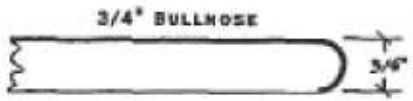
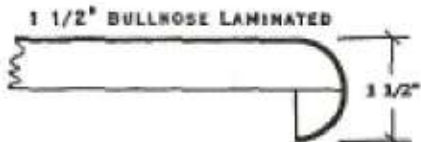
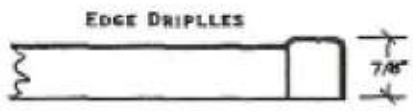
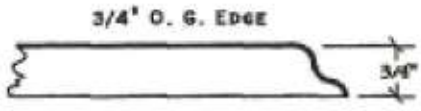
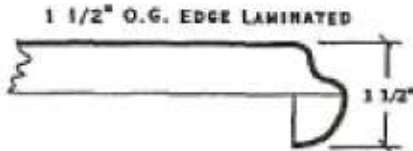
ISOMETRIC VIEW



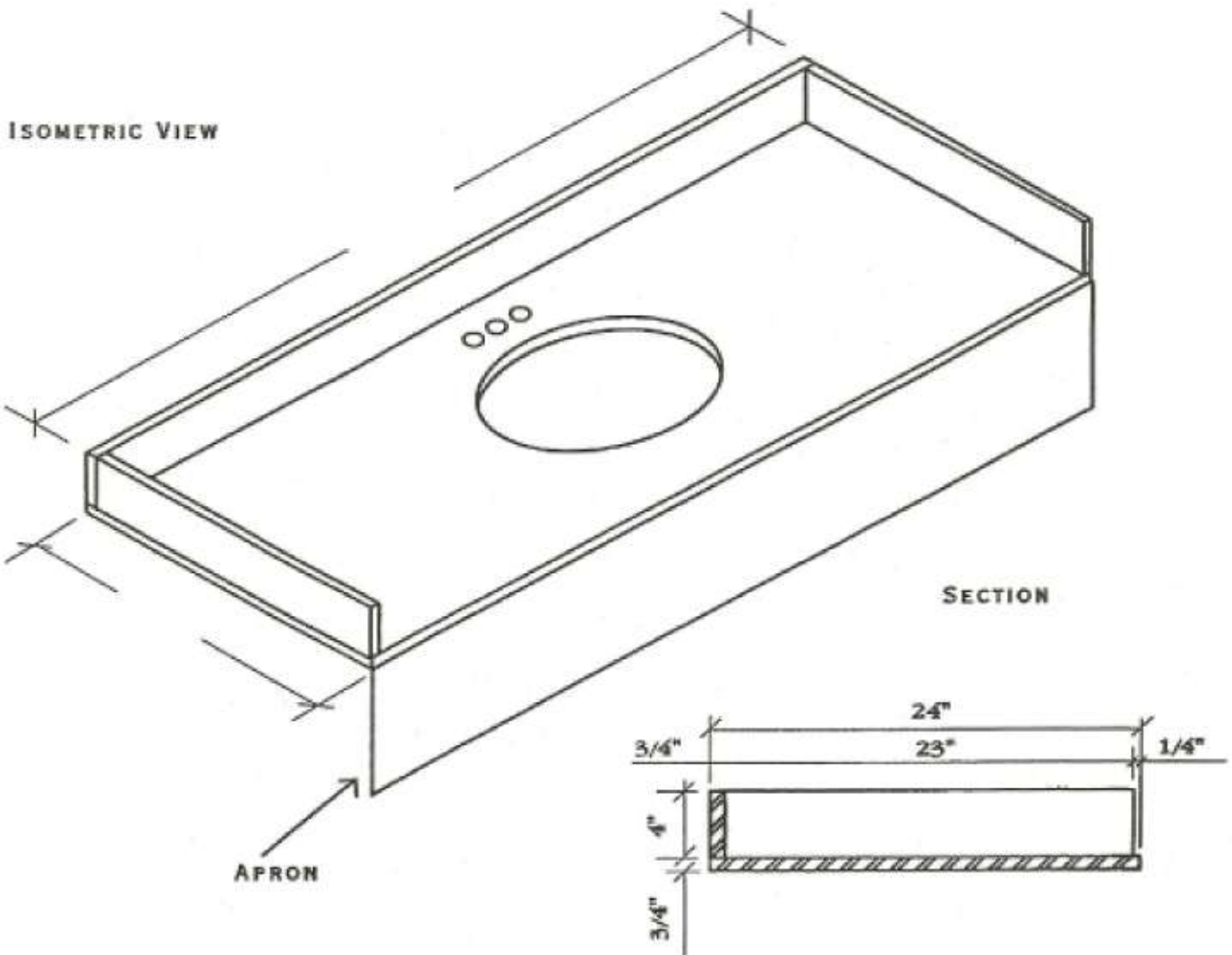
SECTION



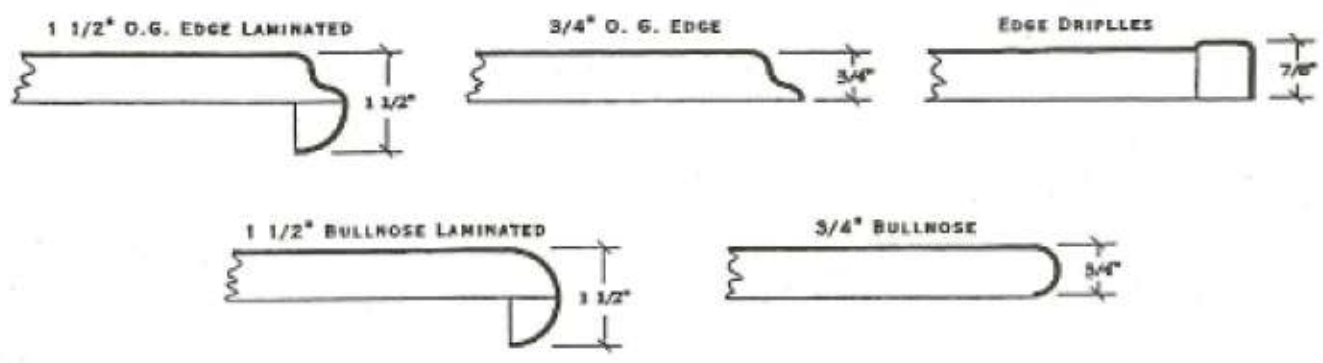
DETAIL FRONT EDGE.



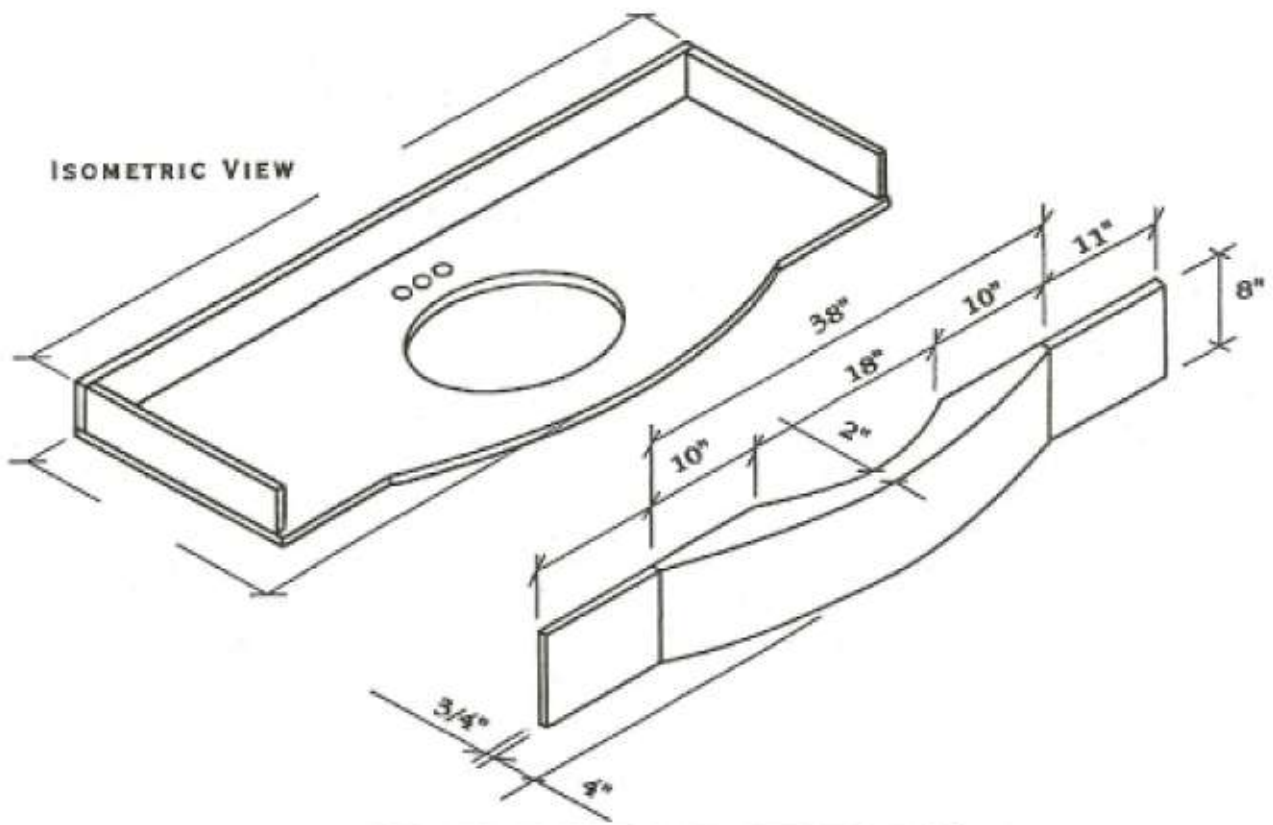
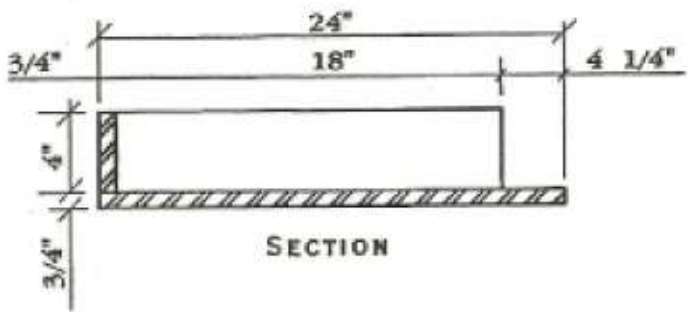
GRANITE & MARBLE BATHROOM VANITY



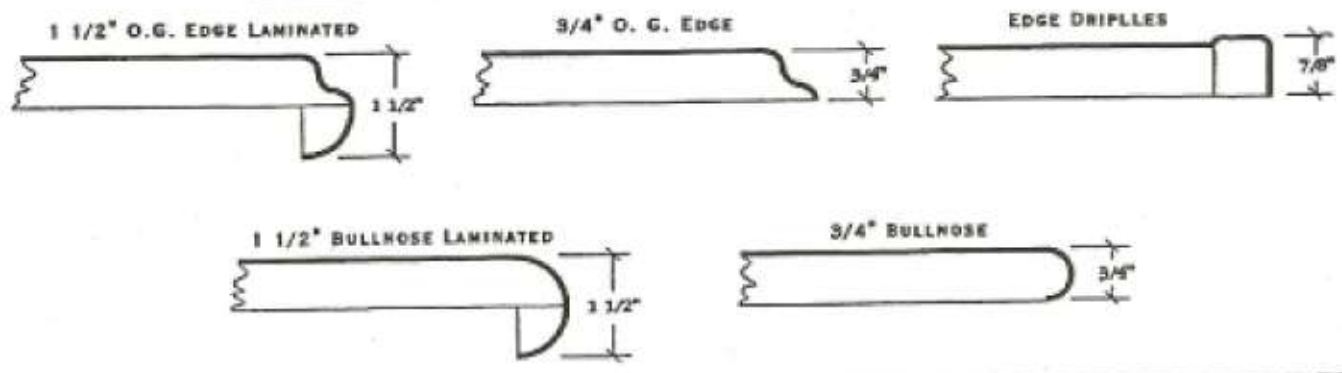
DETAIL FRONT EDGE.



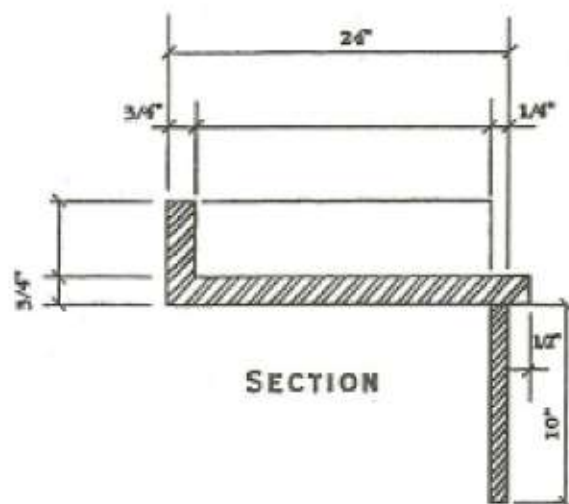
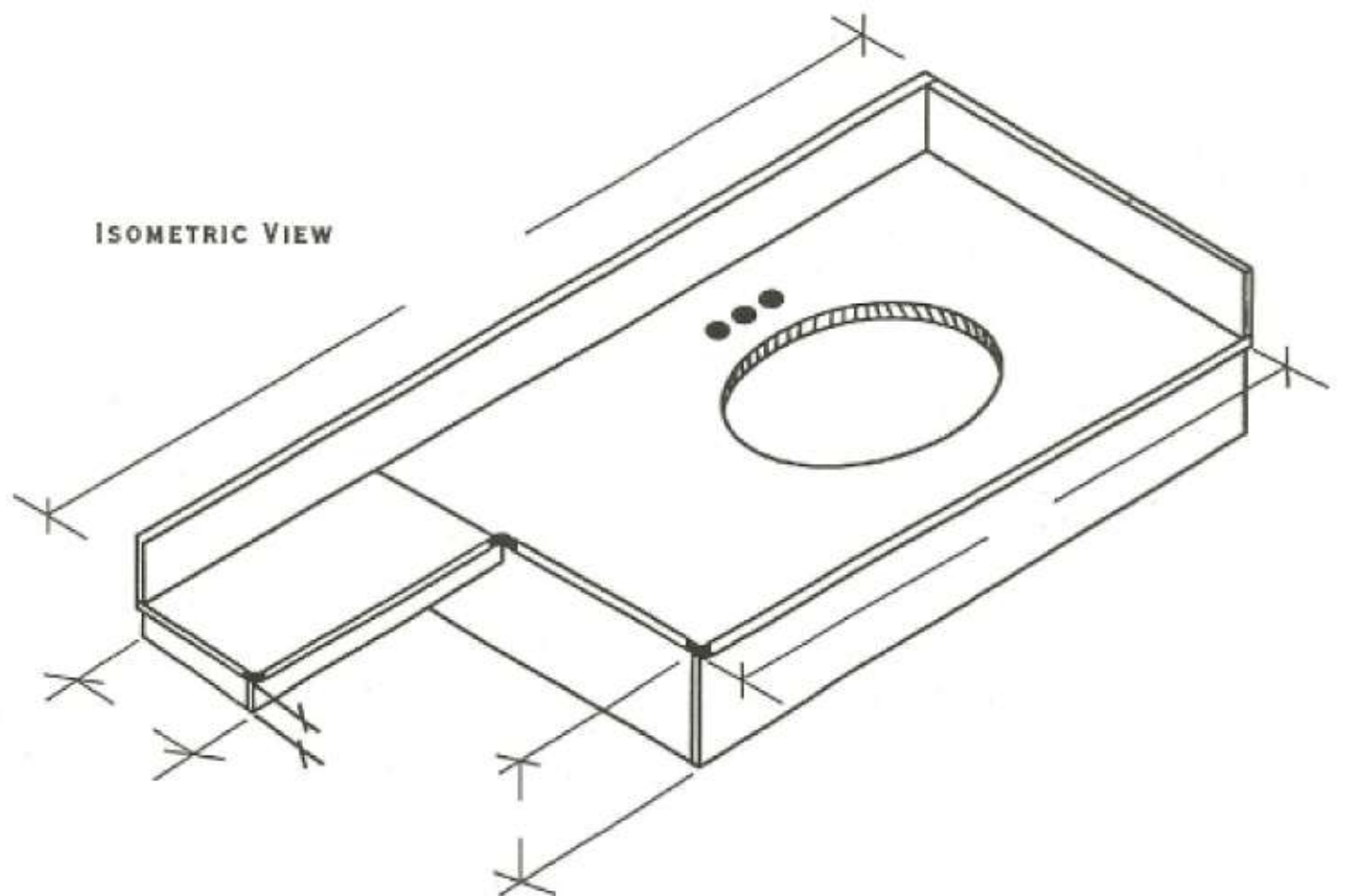
GRANITE & MARBLE BOWED VANITY



DETAIL FRONT EDGE.



GRANITE & MARBLE BANJO VANITY



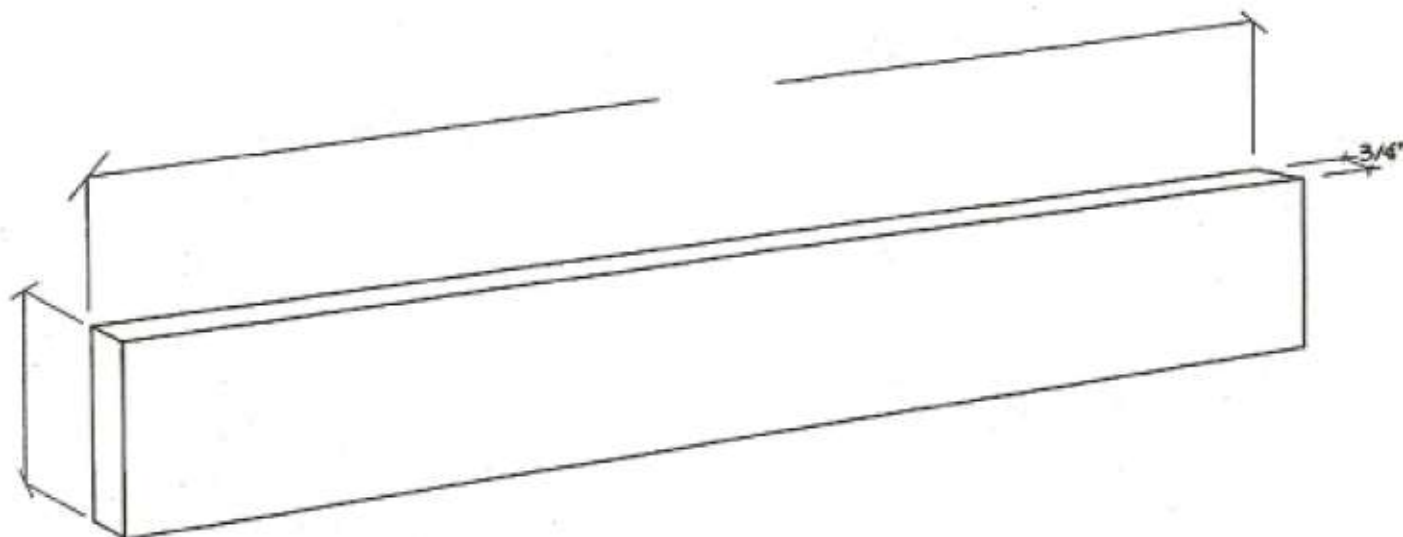
BENJO VANITY

LENGTH OVER 60" - MAXIMUM 72" SINGLE PIECE.

LENGTH UNDER 60" - MINIMUM 30" SINGLE PIECE.

GRANITE & MARBLE APRON

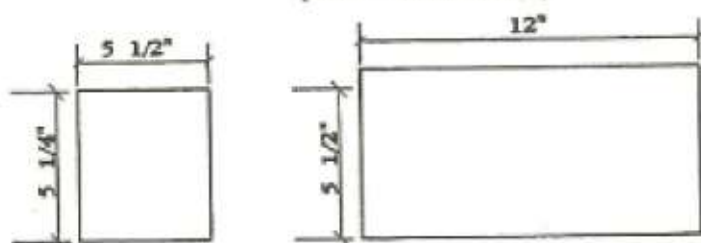
APRON AVAILABLE 6", 8", 10" WITH ABOVE CUT-OUTS



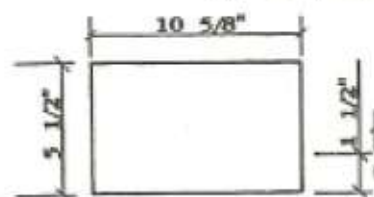
ADA APRON 4" MAXIMUM

APRON CUT-OUTS

TOILET TISSUE CUT-OUTS WITH EASED EDGE
(NO POLISH)



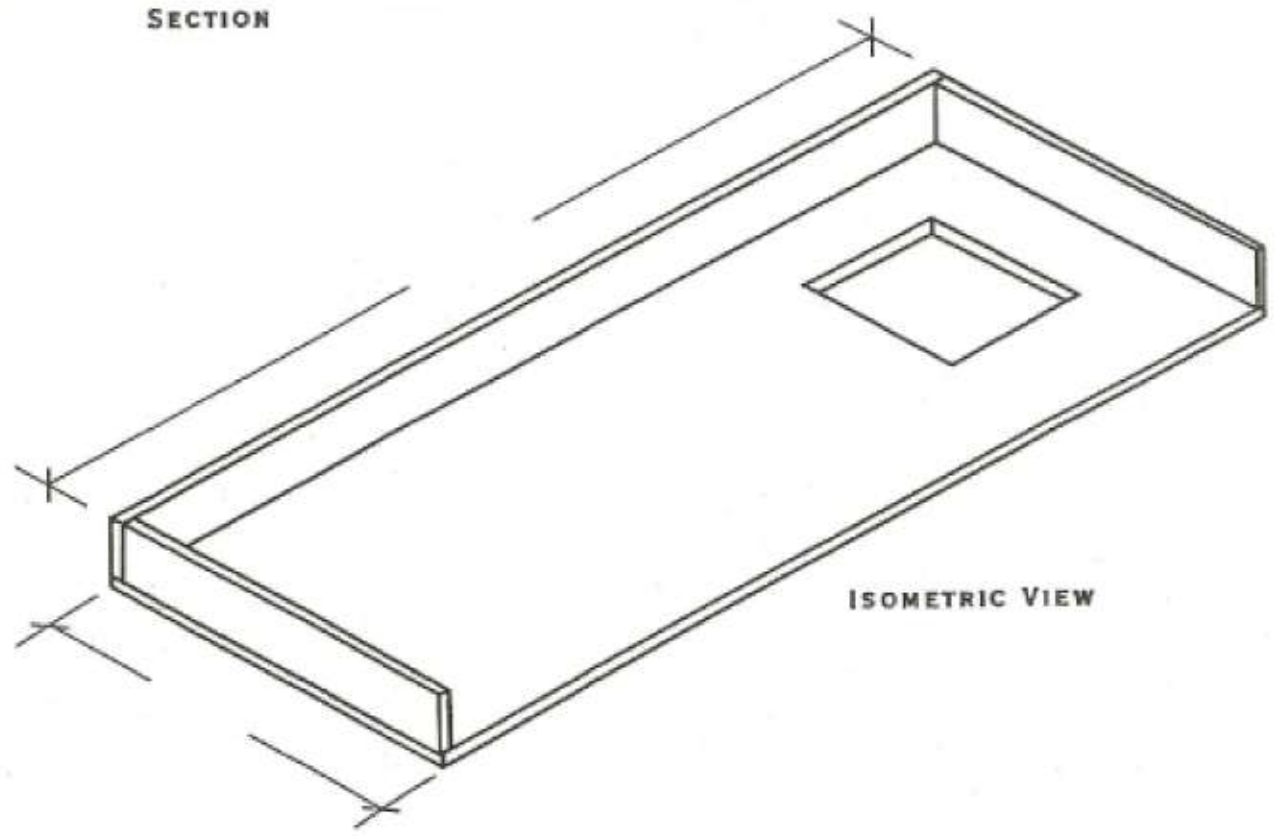
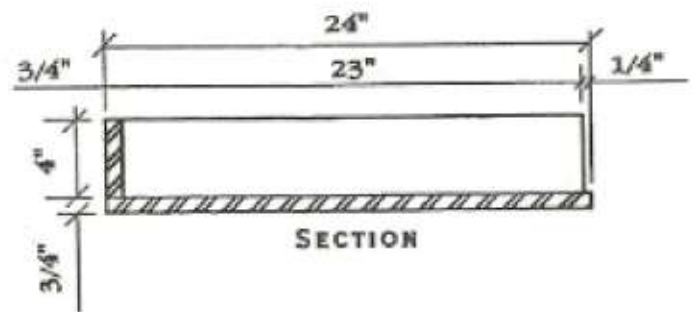
FACIALS TISSUE CUT-OUTS
WITH EASED EDGE
(NO POLISH)



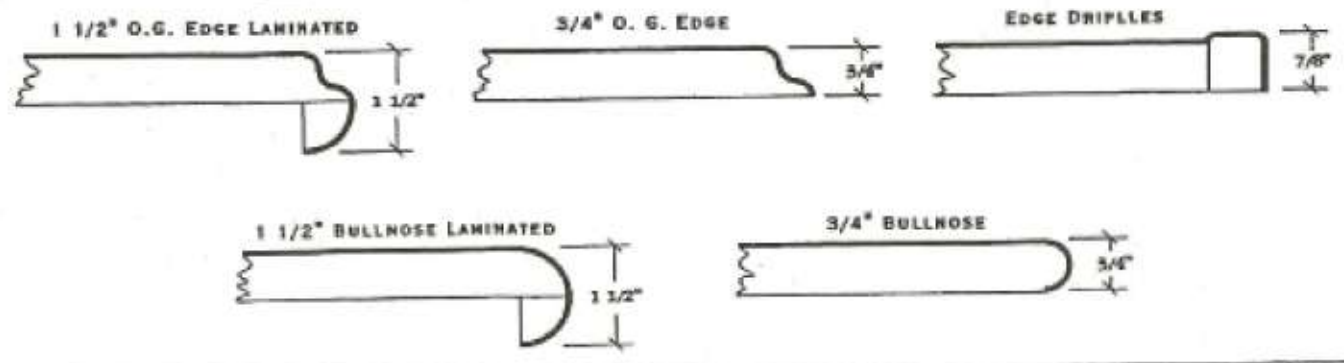
FACIALS TISSUE SLOT WITH EASED EDGE
(POLISHED)

4-1/4 X 1/4 HOLES DRILLED FOR BOTTOM SINK CLIPS.

GRANITE & MARBLE WET BAR

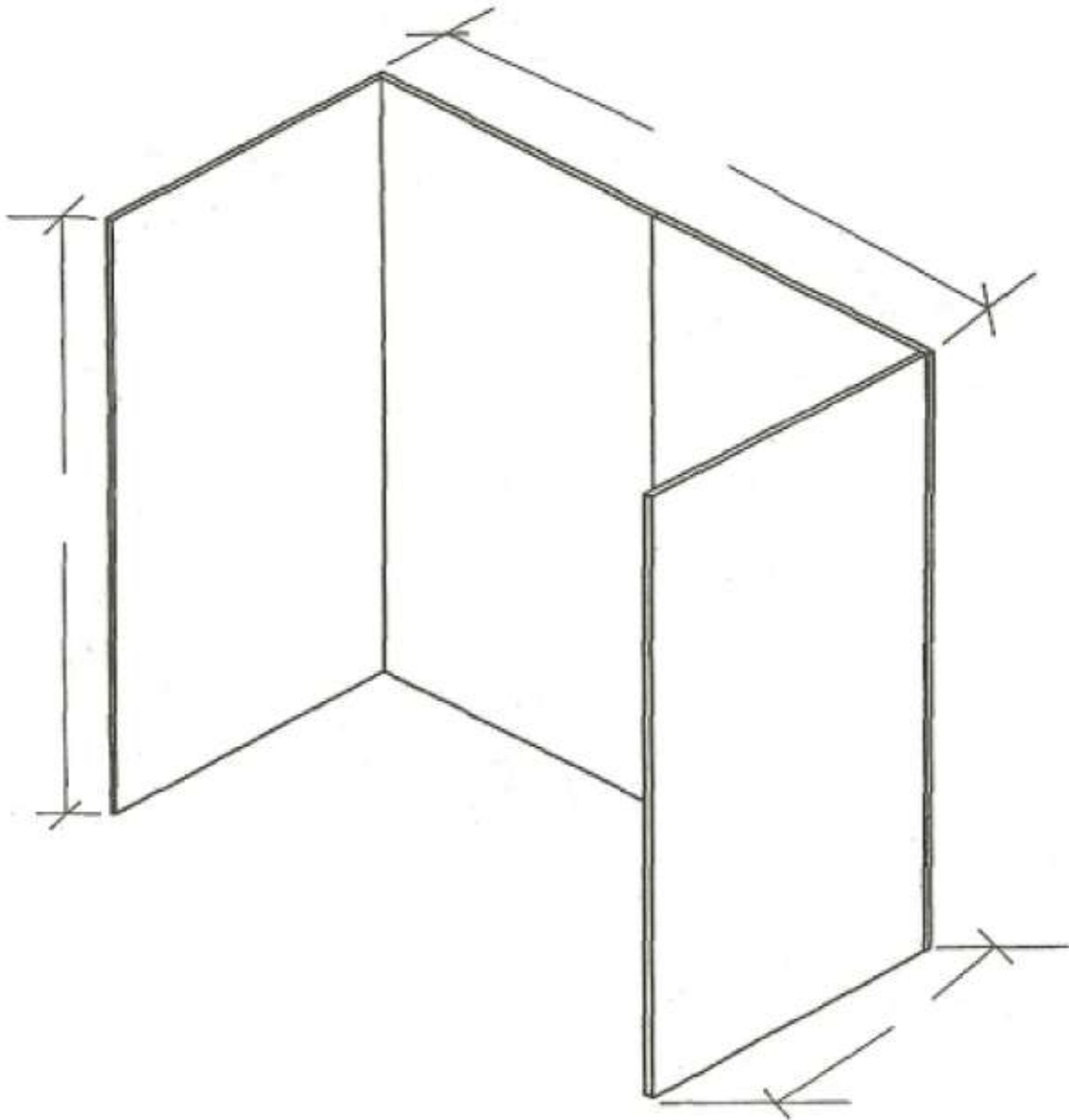


DETAIL FRONT EDGE.



Neilmax Industries Inc
15/A Progress Street,
Edison, NJ 08820
Tel: 908-756-8800 Fax: 908-756-8855

GRANITE & MARBLE TUB SURROUND

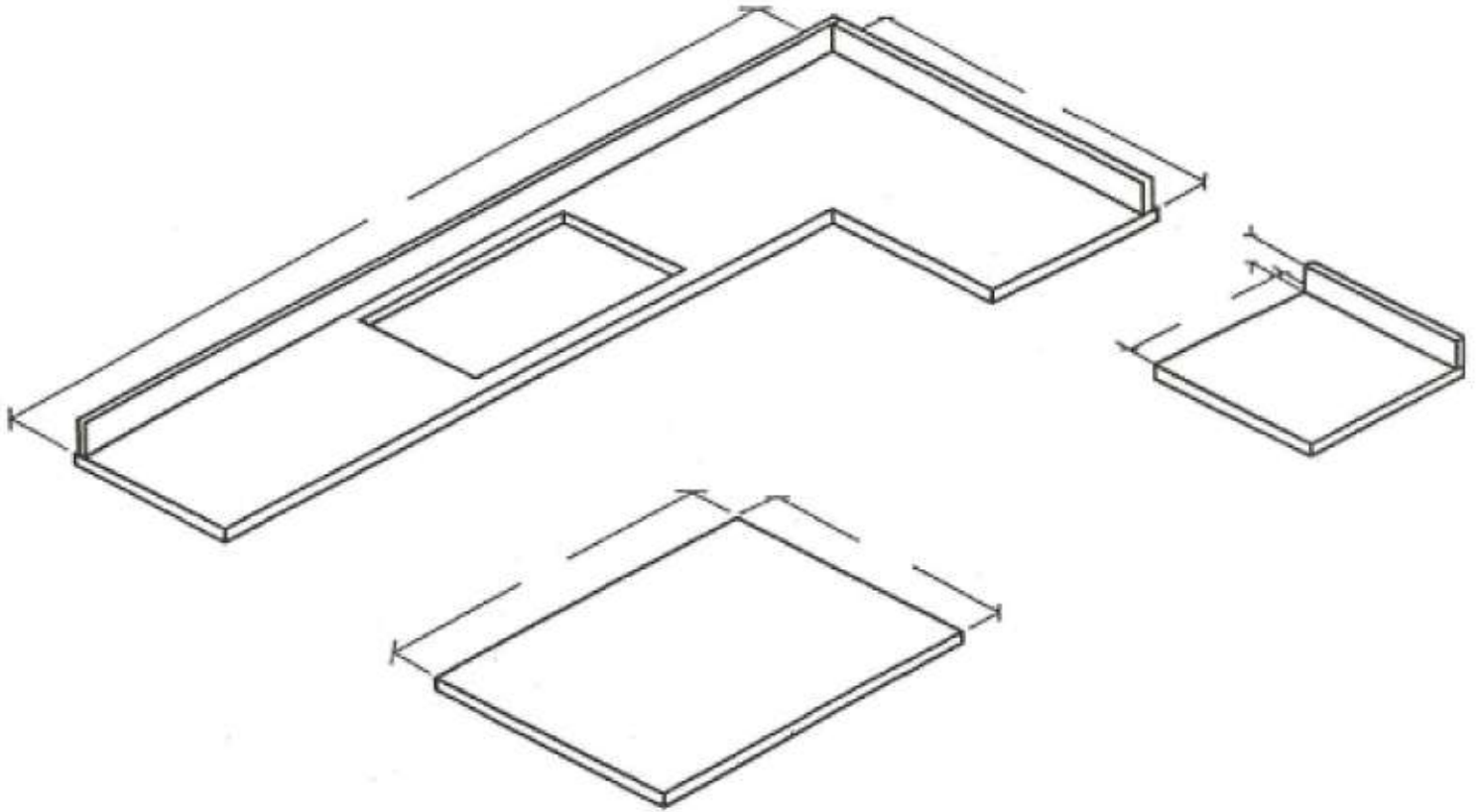


ALL PANELS ARE 5/8"

ALL EXPOSED EDGES EASED AND POLISHED

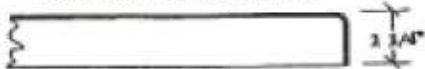
Neilmax Industries Inc
15/A Progress Street,
Edison, NJ 08820
Tel: 908-756-8800 Fax: 908-756-8855

GRANITE & MARBLE KITCHEN COUNTERS



DETAIL FRONT EDGE.

EASE AND POLISHED EDGE

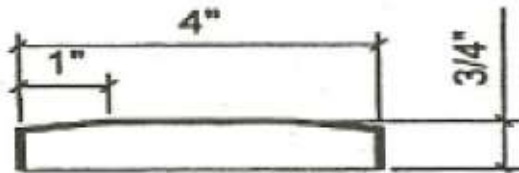
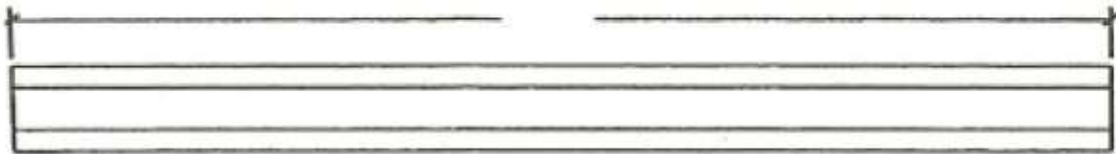


1 1/4 BULLNOSE



GRANITE & MARBLE THRESHOLDS

Typical Thresholds: 36"x4"x3/4"



SECTION

WINDOW SILLS

